

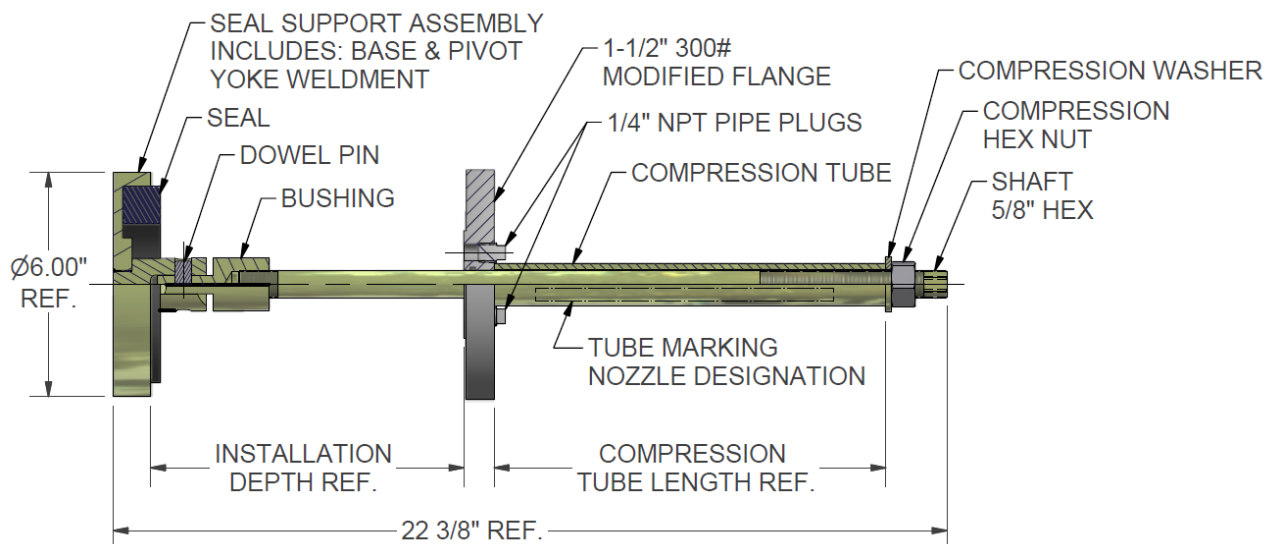
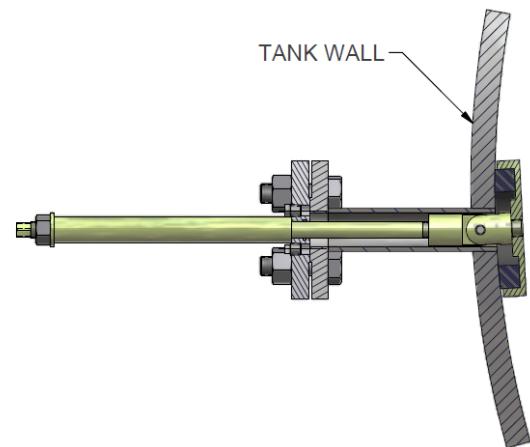
Tank Nozzle Tester

Quickly Test Welded Nozzle Connections

Our lightweight Tank Nozzle Tester significantly minimizes time required to test welded nozzle connections. Its swivel seal support assembly pivots to align with the contour of the pressure vessel, ensuring a swift and straightforward testing process.

Design Advantages

- Easy to install and remove
- Self-aligning - seal can adapt to various nozzle locations and tank diameters
- Reduce downtime – entire vessel does not need to be filled & pressurized
- Reduce costs – minimal test medium required
- Ability to test flange welds to higher pressure than tank rated pressure
- No heavy equipment or hot work required for installation
- Suitable for horizontal, vertical and angular applications



For additional information, contact: EST-Sales@curtisswright.com