

HIGH LIFT UPGRADE RETROFIT INSTRUCTIONS FOR FLANGE TEST & FLANGE WELD PLUGS

This Instruction outlines how to retrofit High Lift Seals onto Flange Test and Flange Weld Plugs. The seal retrofit strictly increases the clearance between the plug and the pipe, it is not intended to change or modify the intended use of the Flange Test or Flange Weld Plug. Refer to DC2678 High Lift Flange Test Plug/Weld Plug Operating Procedures when using the upgraded product.

Table 1. Maximum Pressure Ratings for Upgraded Flange Test & Flange Weld Plugs

Class	Maximum Test Pressure
150 lb.	450psi (31 Bar)
300 lb.	1125psi (77 Bar)
600 lb.	1125psi (77 Bar)

3/4" – 1" PLUG SIZES, HIGH LIFT SEAL AND WASHER UPGRADE

1. Remove Jamnuts, seal and washers from bottom of shaft.
2. Install one washer, urethane seal, second washer and Jamnuts onto shaft threads, threading on as far as possible. Wrench tighten Jamnuts together.

1-1/4" – 2" PLUG SIZES, HIGH LIFT SEAL AND WASHER UPGRADE

1. Remove Jamnuts, seal and washers from bottom of shaft.
2. Lubricate the o-ring in ID of the new washer.
3. Carefully install the washer with internal o-ring onto the shaft.
4. Install the urethane seal, washer and Jamnuts onto shaft threads, threading on as far as possible. Wrench tighten Jamnuts together.

2-1/2" – 3" PLUG SIZES, HIGH LIFT SEAL AND WASHER UPGRADE

1. Remove Jamnuts, seal and washers from bottom of shaft.
2. Install the 1" long compression tube, provided with upgrade kit, onto the shaft.
3. Lubricate the o-ring in ID of the new washer.
4. Carefully install the washer with internal o-ring onto the shaft.
5. Install the urethane seal, washer and Jamnuts onto shaft threads, threading on as far as possible. Wrench tighten Jamnuts together.

4" PLUG SIZE, HIGH LIFT SEAL AND WASHER UPGRADE

1. Remove Jamnuts, seal and washers from bottom of shaft.
2. Install the 1" long compression tube, provided with upgrade kit, onto the shaft.
3. Lubricate the o-ring in ID of the new tapered washer.
4. Carefully install the tapered washer with internal o-ring onto the shaft so that tapered side will be positioned against the seal.
5. Install the urethane seal, tapered washer so that tapered side will be positioned against the seal and Jamnuts onto shaft threads, threading on as far as possible. Wrench tighten Jamnuts together.

6"-8" PLUG SIZES, HIGH LIFT SEAL AND WASHER UPGRADE

1. Remove Jamnuts, seal and washers from bottom of shaft.
2. Lubricate the o-ring in ID of the new tapered washer.
3. Carefully install the tapered washer with internal o-ring onto the shaft so that tapered side will be positioned against the seal.
4. Install the urethane seal, tapered washer so that tapered side will be positioned against the seal and Jamnuts onto shaft threads, threading on as far as possible. Wrench tighten Jamnuts together.

QUESTIONS? Contact EST Group Customer Service at any of the following locations with questions.

In USA and Canada: tel: 800-355-7044, fax: 215-721-1101, e-mail: est-info@curtisswright.com

In Europe: tel: +31-172-418841, fax: +31-172-418849; e-mail: est-emea@curtisswright.com

In Asia: tel: +65-6745-8560, fax: +65-6742-8700, e-mail: est-asia@curtisswright.com

On the Internet: <http://estgroup.cwfc.com>

EST Group is a business unit of Curtiss-Wright Flow Control Company. **EST Group** provides a complete range of repair products, services and replacement parts covering the life cycle of tubular heat exchangers and condensers; additionally EST Group provides products and services to facilitate pressure testing pipe, piping systems, pressure vessels and their components. Visit EST Group on the Internet at <http://estgroup.cwfc.com>.

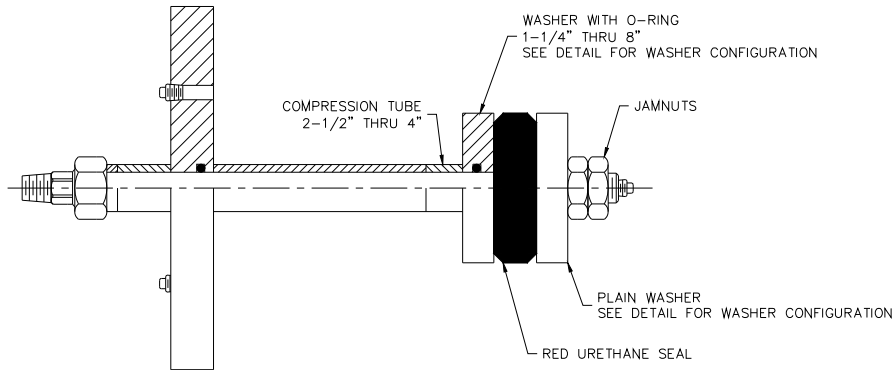


EST Group
2701 Township Line Rd
Hatfield, PA 19440-1770 USA
(P) 215.721.1100
800.355.7044
(F) 215.721.1101
est-info@curtisswright.com
<http://estgroup.cwfc.com>

Europe / Middle East / Africa
EST Group B.V.
Hoon 312a
2404 HL Alphen aan den Rijn
The Netherlands
(P) +31.172.418841
(F) +31.172.418849
est-emea@curtisswright.com

Asia
EST Group Asia
35 Tannery Rd, #11-10 Tannery Block
Ruby Industrial Complex
Singapore 247740
(P) +65.6745.8560
(F) +65.6742.8700
est-asia@curtisswright.com

Figure 1. Flange Weld Test Plug and High Lift Seal and Washer Sets



HIGH LIFT FLANGE TEST/WELD PLUG UPGRADE

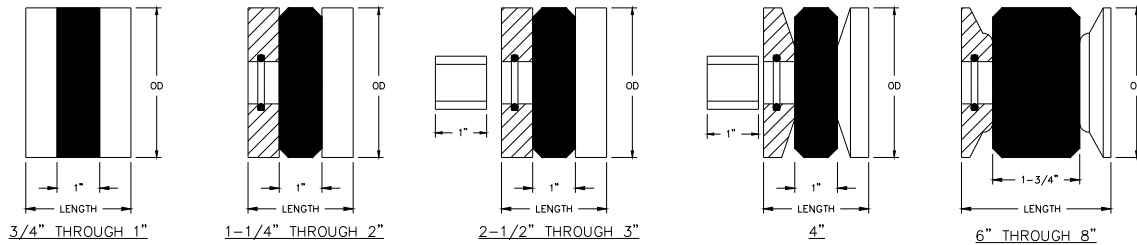


Table 1. High Lift Seal and Washer Upgrade Part Numbers

UPGRADE KIT PART NUMBER	FLANGE SIZE	FLANGE CLASS	PIPE SCHEDULE	OD	LENGTH
HL-75P80-UG	3/4"	150#	80	.67	1-1/4"
HL-75P40-UG	3/4"	300#	40	.75	1-1/4"
HL-1P80-UG	1"	600#	80	.85	1-1/4"
HL-1P40-UG	1"		40	.94	1-1/4"
HL-125P80-UG	1-1/4"		80	1.15	1-5/8"
HL-125P40-UG	1-1/4"		40	1.25	1-5/8"
HL-15P80-UG	1-1/2"		80	1.33	1-3/4"
HL-15P40-UG	1-1/2"		40	1.44	1-3/4"
HL-2P80-UG	2"		80	1.69	1-3/4"
HL-2P40-UG	2"		40	1.82	1-3/4"
HL-25P80-UG	2-1/2"		80	2.07	2"
HL-25P40-UG	2-1/2"		40	2.22	2"
HL-3P80-UG	3"		80	2.52	2"
HL-3P40-UG	3"		40	2.69	2"
HL-4P80-UG	4"		80	3.39	2"
HL-4P40-UG	4"		40	3.59	2"
HL-6P80-UG	6"		80	5.26	3-3/4"
HL-6P40-UG	6"		40	5.57	3-3/4"
HL-8P80-UG	8"		80	7.13	4"
HL-8P40-UG	8"		40	7.48	4"



EST Group
2701 Township Line Rd
Hatfield, PA 19440-1770 USA
(P) 215.721.1100
800.355.7044
(F) 215.721.1101
est-info@curtisswright.com
http://estgroup.cwfcc.com

Europe / Middle East / Africa
EST Group B.V.
Hoorn 312a
2404 HL Alphen aan den Rijn
The Netherlands
(P) +31.172.418841
(F) +31.172.418849
est-emea@curtisswright.com

Asia
EST Group Asia
35 Tannery Rd, #11-10 Tannery Block
Ruby Industrial Complex
Singapore 247740
(P) +65.6745.8560
(F) +65.6742.8700
est-asia@curtisswright.com